

**WAZEBO**

9WA2BI

Wazebo doppio / Wazebo, double unit.

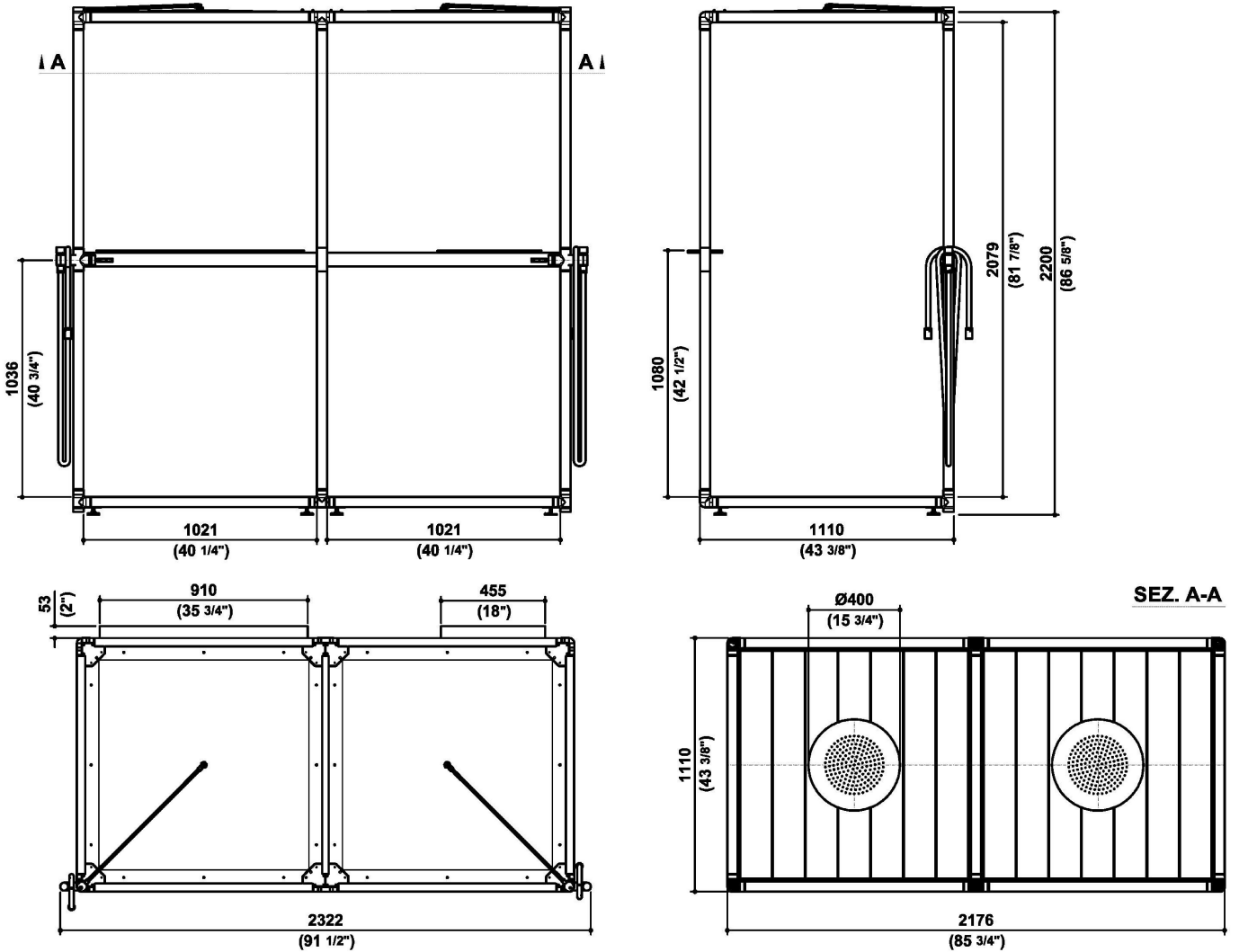


Outdoor shower cabin with open frame made of white tubular metal, footboard in WPC.  
Stainless steel rainshowerhead, Ø 400 mm, white colour. Single lever Joystick mixer with 35 mm cartridge.  
Elastomer footwasher hose operated by diverter.  
One shelf, white colour.  
Adjustable feet, floor mounted fixing.  
Dimensions: 46 5/8" x 46 5/8" x h. 86 5/8"

## WAZEBO

9WA2BI

Disegno Complessivo / Overall Drawing



**WAZEBO**

9WA2BI

Dati operativi / Specifications		
Dimensioni / Dimensions	2176 x 1110 x h. 2200 mm	85 3/4 x 43 3/8 x h. 86 5/8 inc
Marcatura CE / CE Marking		
Peso netto / Net weight	600.00 kg	1322.77 lb

**WAZEBO**

9WA2BI

## Pesi e Misure / Weights and Sizes

Peso ( Kg ) Weight ( lb )	280,00 ( Kg )	617,29 ( lb )
Volume ( dc3 ) - ( in3 )	2152,33 ( dc3 )	131343,14 ( in3 )
h ( mm ) - ( in )	760,00 ( mm )	29,92 ( in )
L1 ( mm ) - ( in )	1200,00 ( mm )	47,24 ( in )
L2 ( mm ) - ( in )	2360,00 ( mm )	92,91 ( in )

